

Heron

In-Line Dosing System



Heron's in-line dosing system is accurate, simple to use, and requires minimum maintenance.

The system is suitable for hydroponic or bag growing mediums. It also gives you a cost effective alternative to mechanical fertilizer injectors.

- Venturis are used for fertilizer dosing, providing a rugged design with minimum moving parts.
- Up to 7 fertilizer stock tanks with up to 15 recipes.
- Operates as a standalone system or via a Heron irrigation controller.

**A simple, cost
effective
solution to
accurate
fertilizer**

Unit G15
Rudford Industrial Est Ar-
undel
West Sussex
ENGLAND
BN18 0BD

www.heron-electric.com
sales@heron-electric.com
Tel 44 1903 724343

Heron
E l e c t r i c

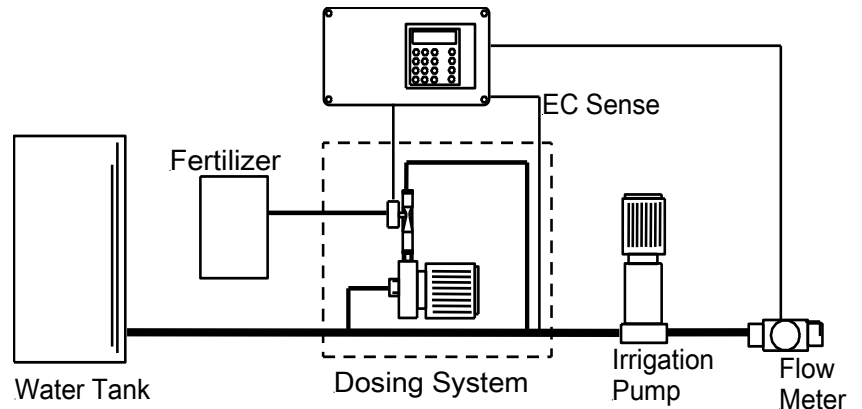
System Features

- Fertilizer dosing is controlled by measuring electrical conductivity (EC).
- EC can be accurately controlled from 0.2 to 5.0mS.
- Each fertilizer venturi injects at a rate of up to 3 litres/minute.
- Up to 15 recipes can be selected. Each recipe allows each injector to be utilized from 0 to 100%.
- When connected to an irrigation controller dosing recipes can be changed with irrigation programs.
- Proportional dosing available when using a flow meter.

System Configurations

Booster Pump Configuration

- Venturi injector on low pressure side of irrigation pump.
- Small pump to drive Venturi.
- Flow meter is optional.



Feed Back Configuration

- Irrigation pump is used to drive the fertilizer venturis.
- Irrigation pump must have spare capacity to drive venturi injectors.
- Flow meter is optional.

